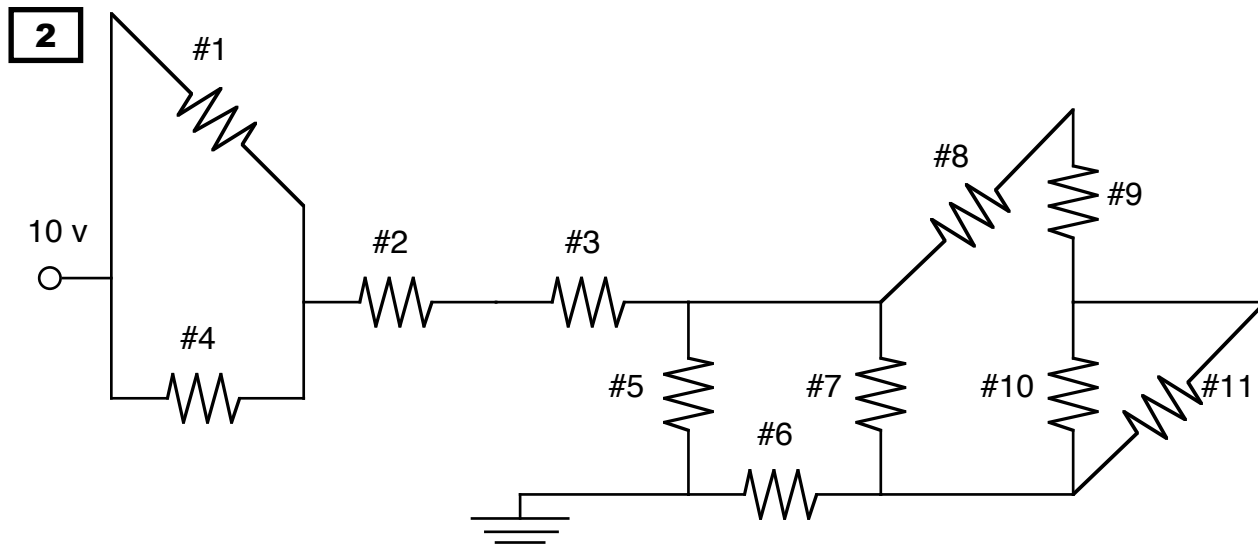
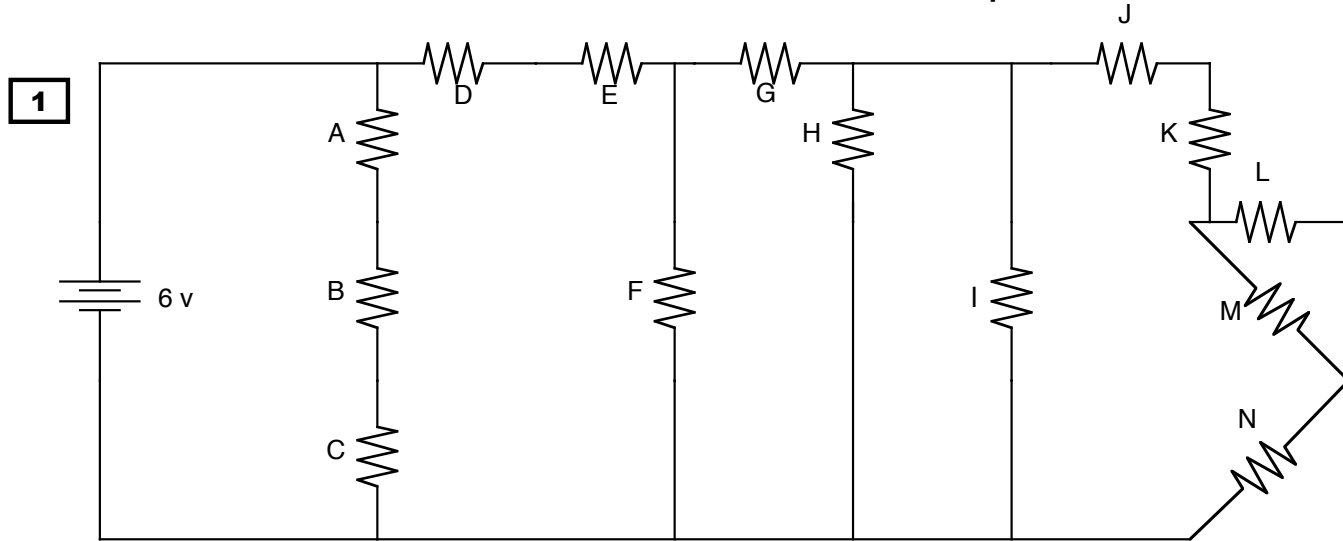


Electrical Circuits

Which resistors are in series and which are in parallel?

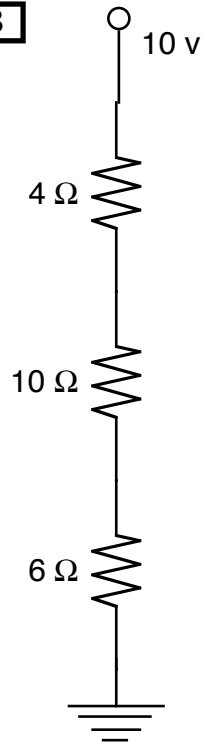


SERIES RESISTORS	PARALLEL RESISTORS
_____	_____
_____	_____
_____	_____
_____	_____
_____	_____
_____	_____
_____	_____
_____	_____
_____	_____
_____	_____

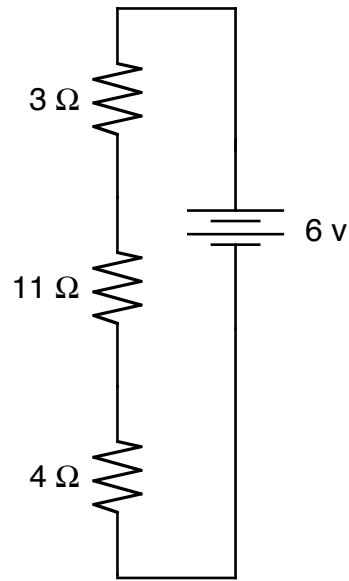
Electrical Circuits

Equivalent Resistance for a Series Circuit

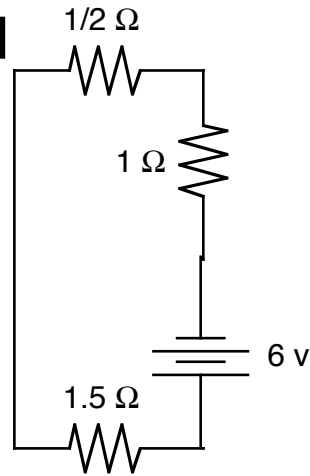
3



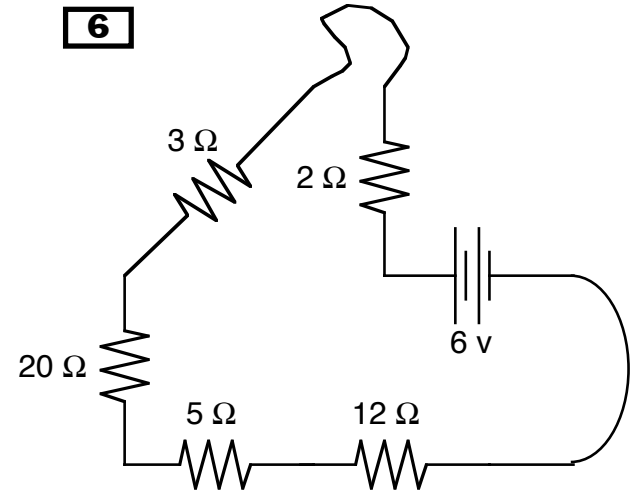
4



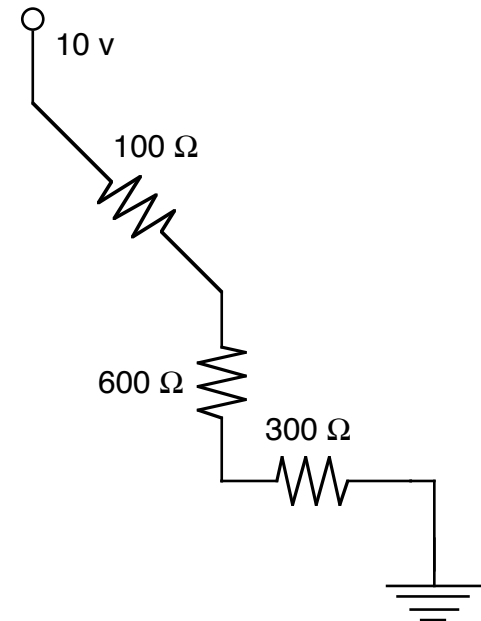
5



6

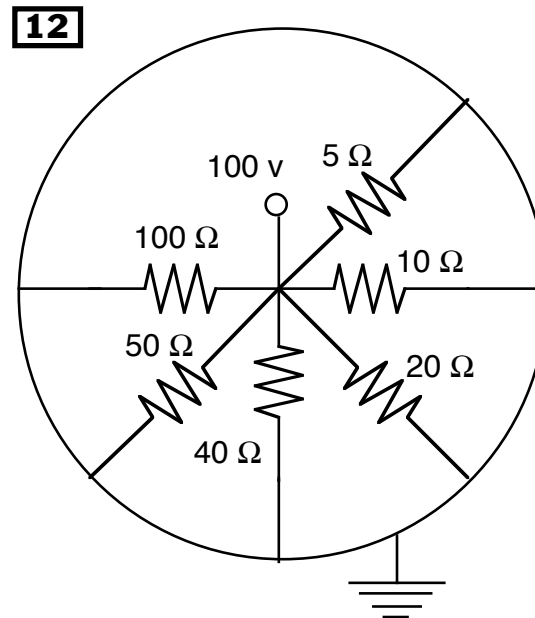
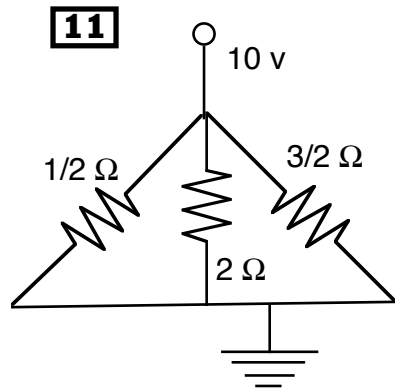
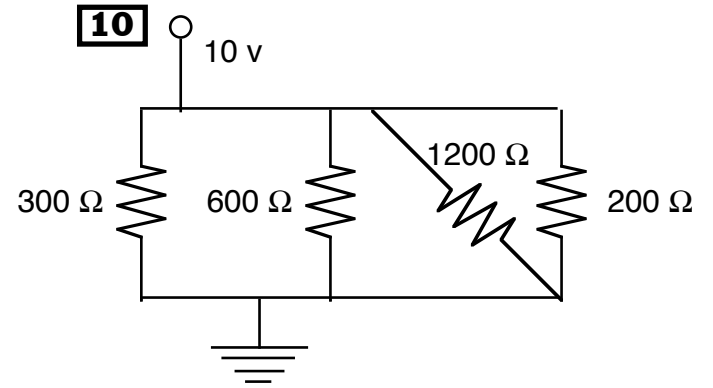
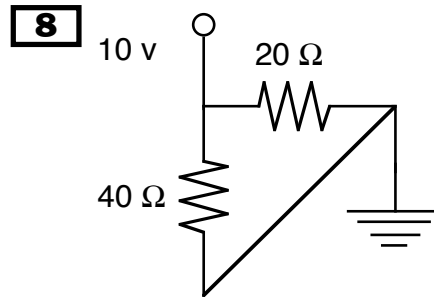
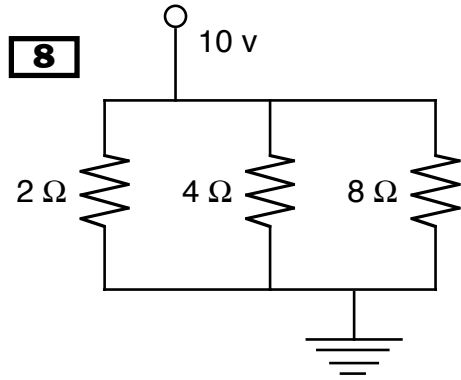


7



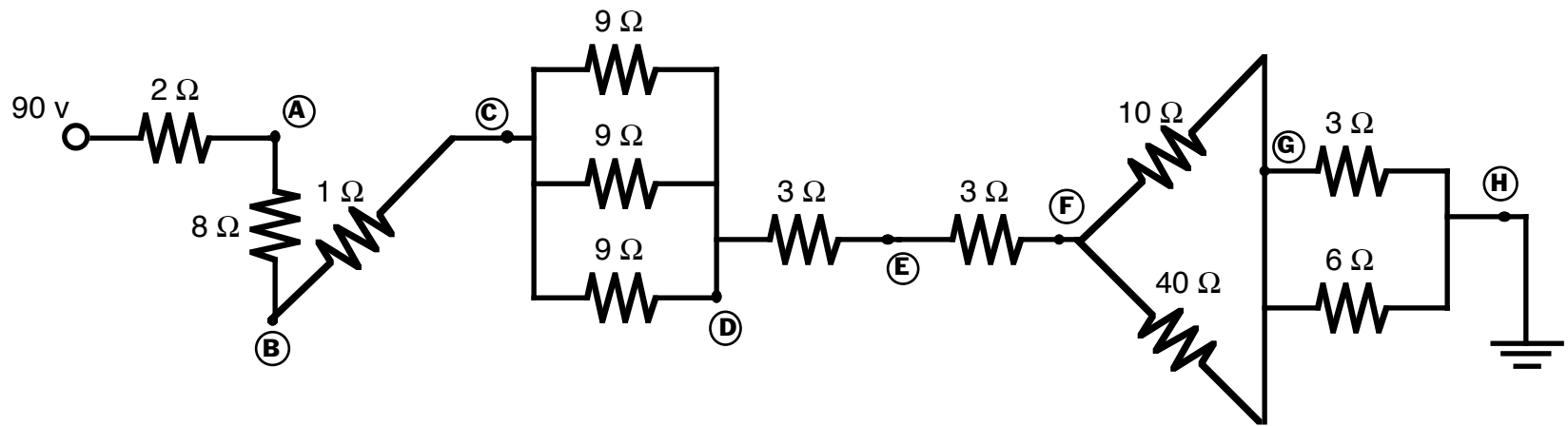
Electrical Circuits

Equivalent Resistance for a Parallel Circuit



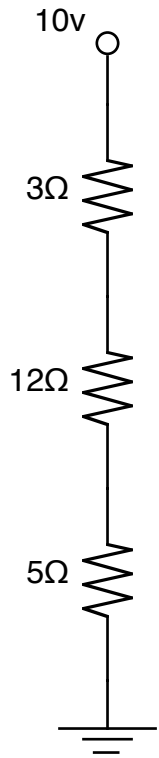
Electrical Circuits

13

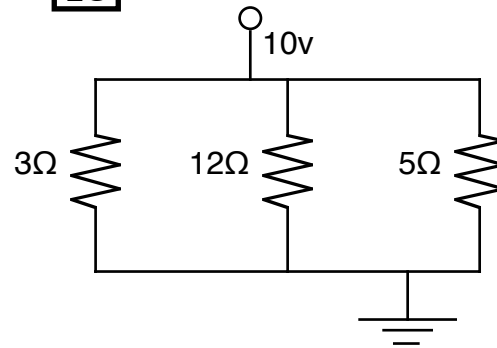


Electrical Circuits

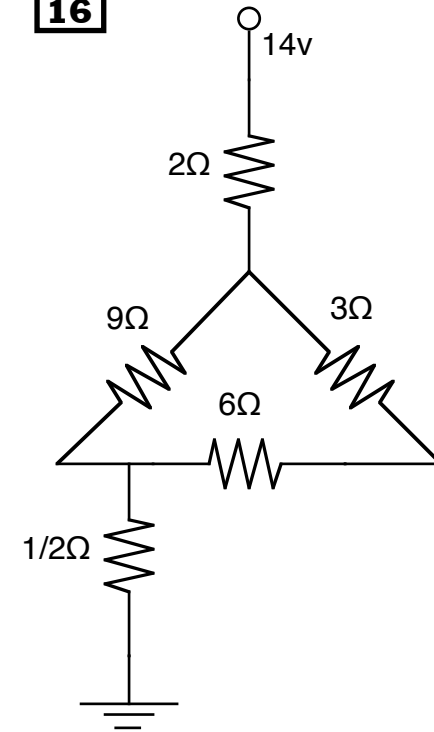
14



15

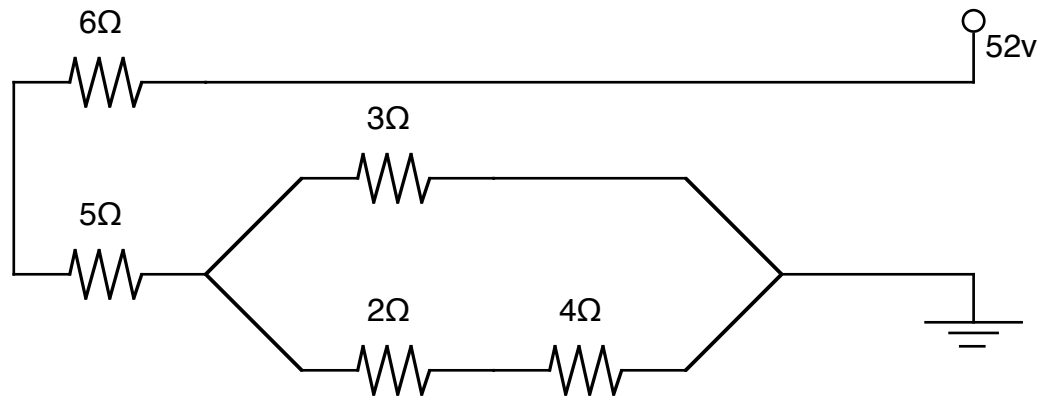


16



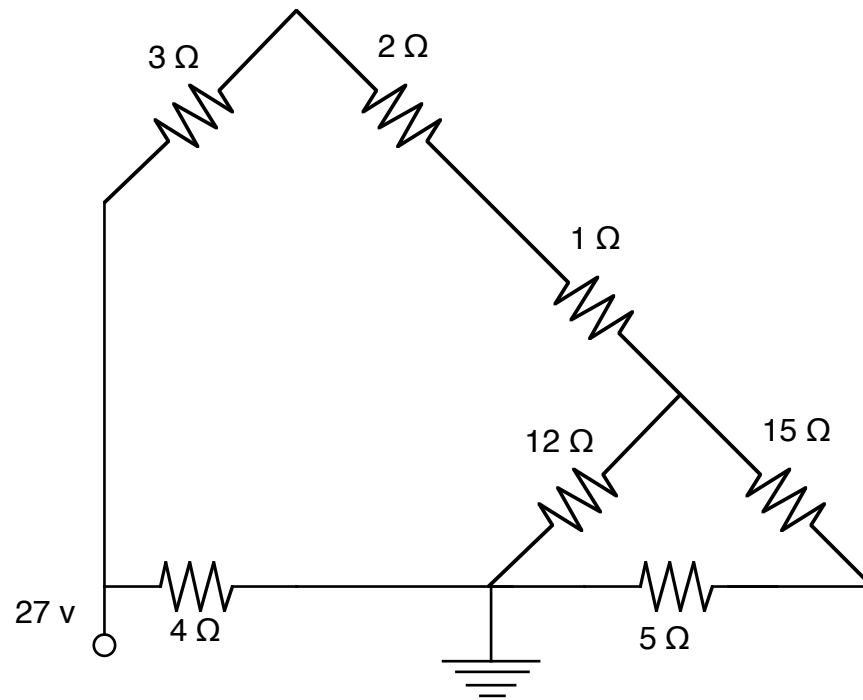
Electrical Circuits

17



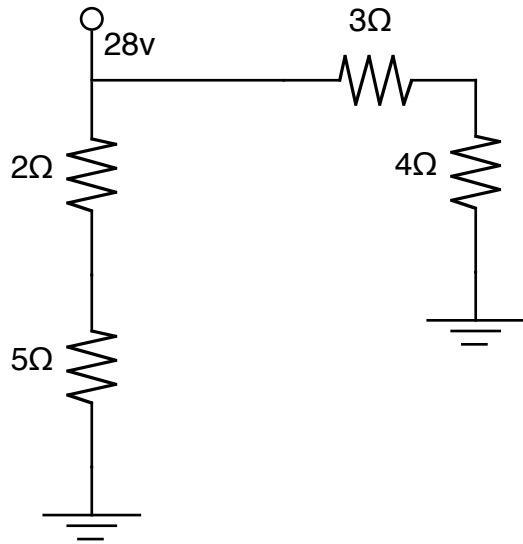
Electrical Circuits

18



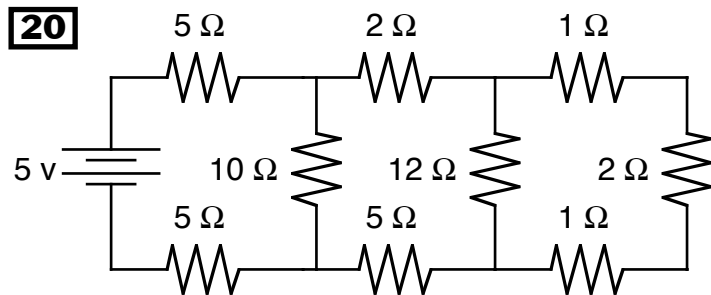
Electrical Circuits

19



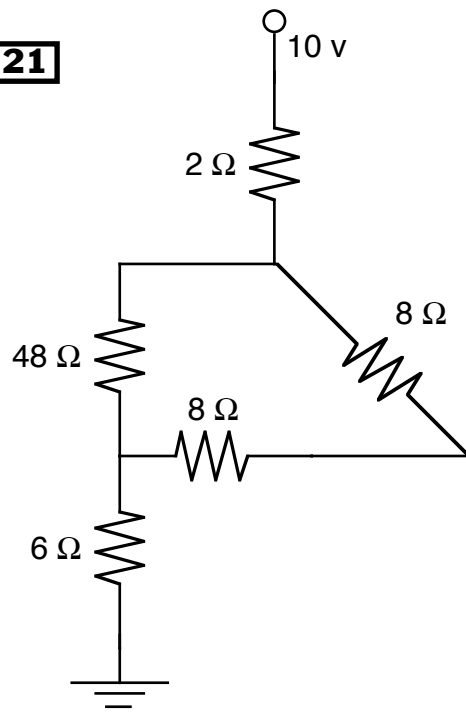
Electrical Circuits

20



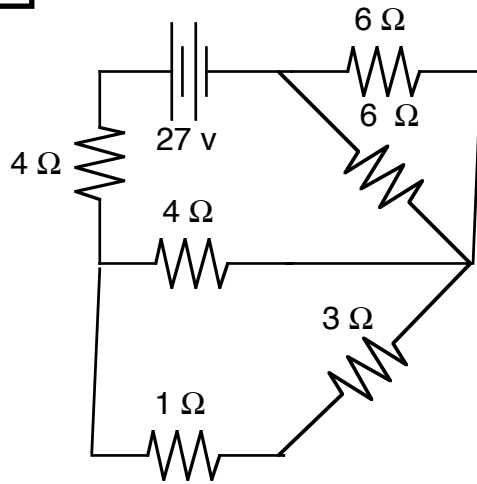
Electrical Circuits

21



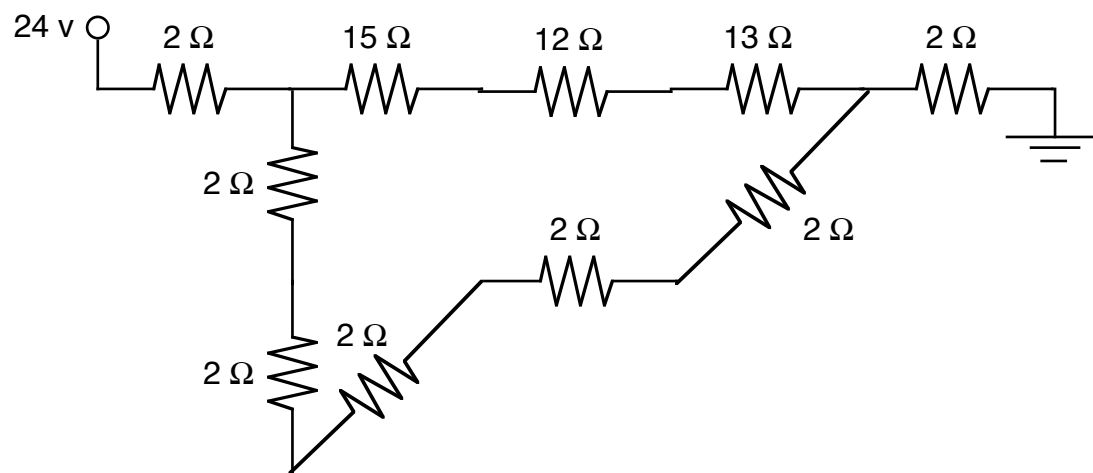
Electrical Circuits

22



Electrical Circuits

23

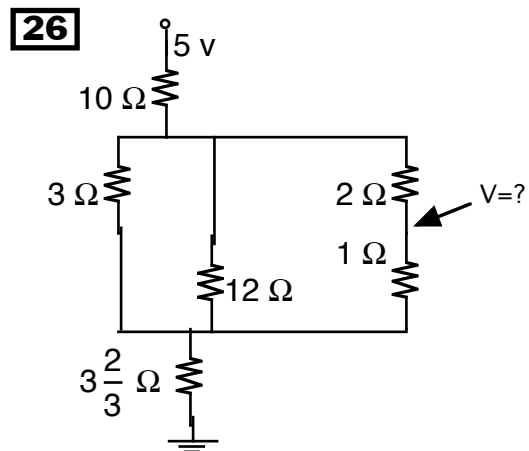
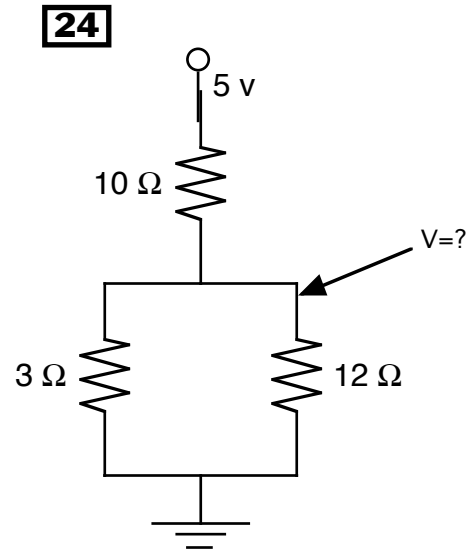


Electrical Circuits

Calculate the circuit's total resistance

Find the voltage drop across and current through each original resistor

Find the voltage's V_1 and V_2 .

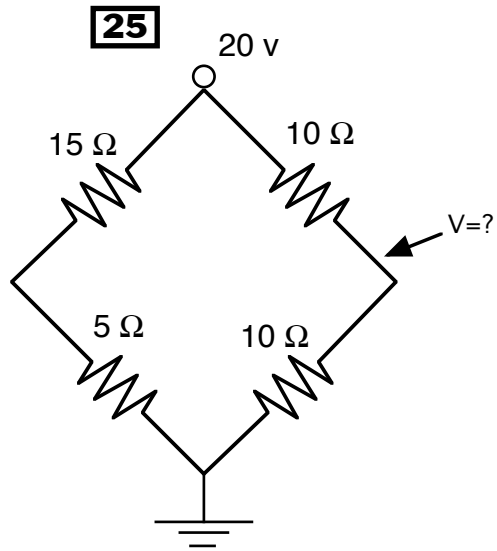


Electrical Circuits

Calculate the circuit's total resistance

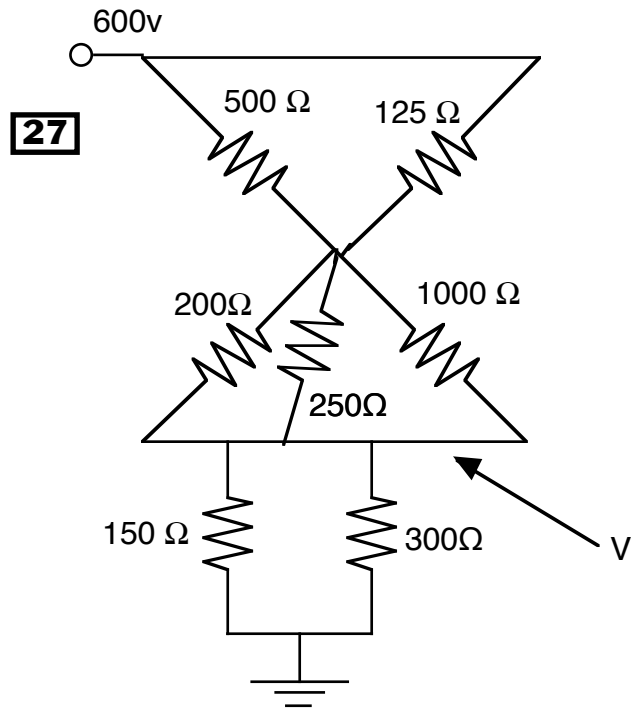
Find the voltage drop across and current through each original resistor

Find the voltage's V_1 and V_2 .



Electrical Circuits

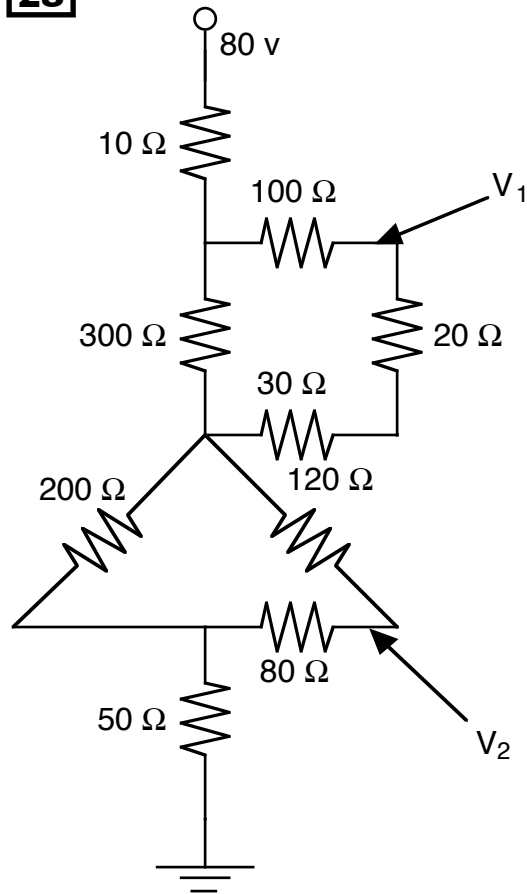
- Calculate the circuit's total resistance
Find the voltage drop across and current through each original resistor
Find the voltage's V_1 and V_2 .
Find the power dissipated by each resistor.



Electrical Circuits

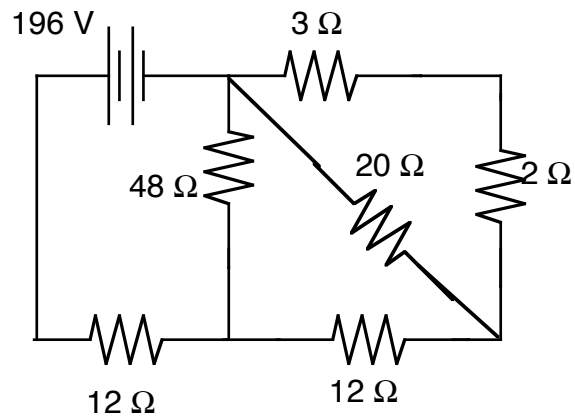
Calculate the circuit's total resistance
Find the voltage drop across and current through each original resistor
Find the voltage's V_1 and V_2 .

28



Electrical Circuits

29



Electrical Circuits

30

